

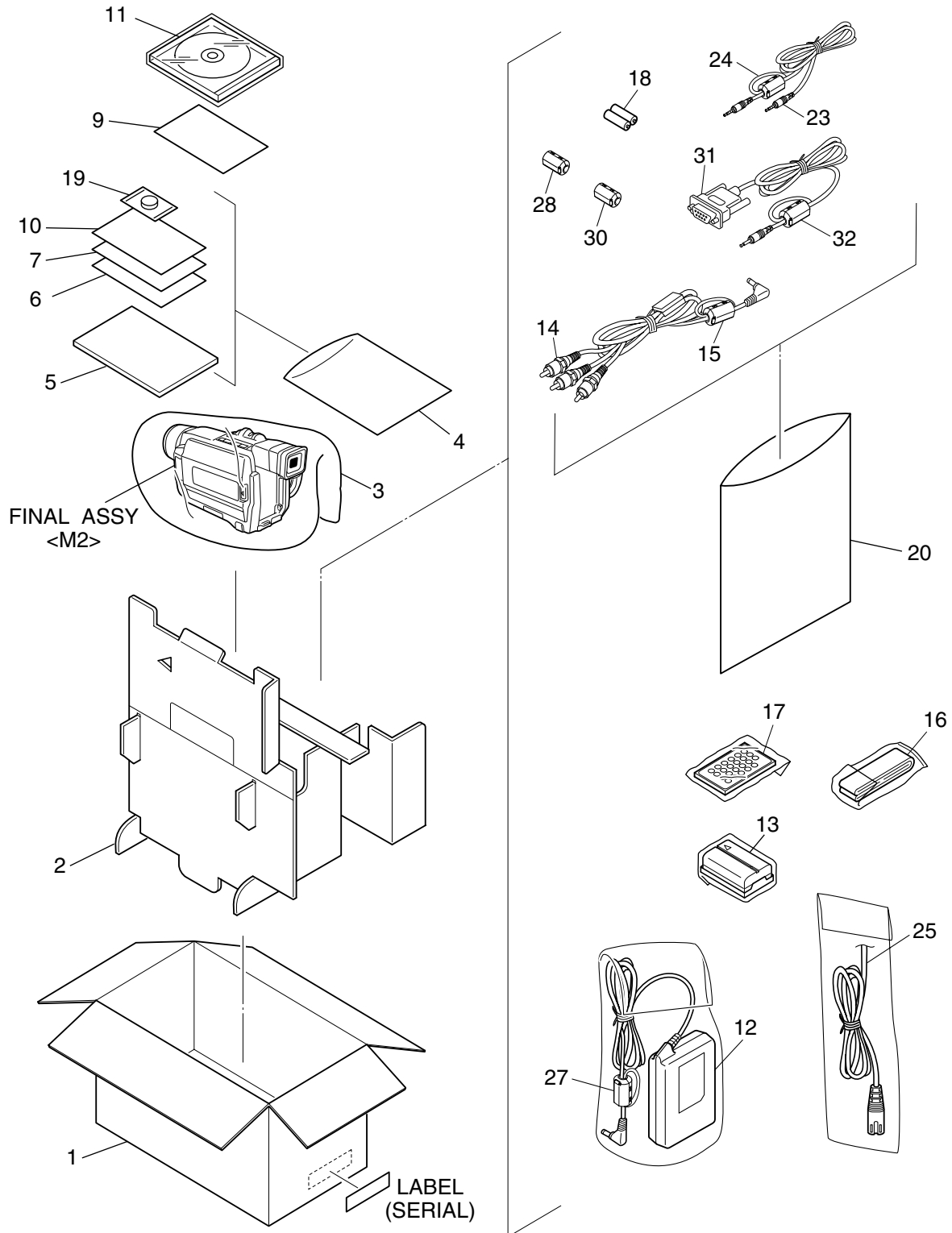
SECTION 5 PARTS LIST

SAFETY PRECAUTION

Parts identified by the \triangle symbol are critical for safety. Replace only with specified part numbers.

5.1 PACKING AND ACCESSORY ASSEMBLY <M1>

The instruction manual to be provided with this product will differ according to the destination.



△ REF No. PART No. PART NAME, DESCRIPTION

PACKING AND ACCESSORY ASSEMBLY <M1>

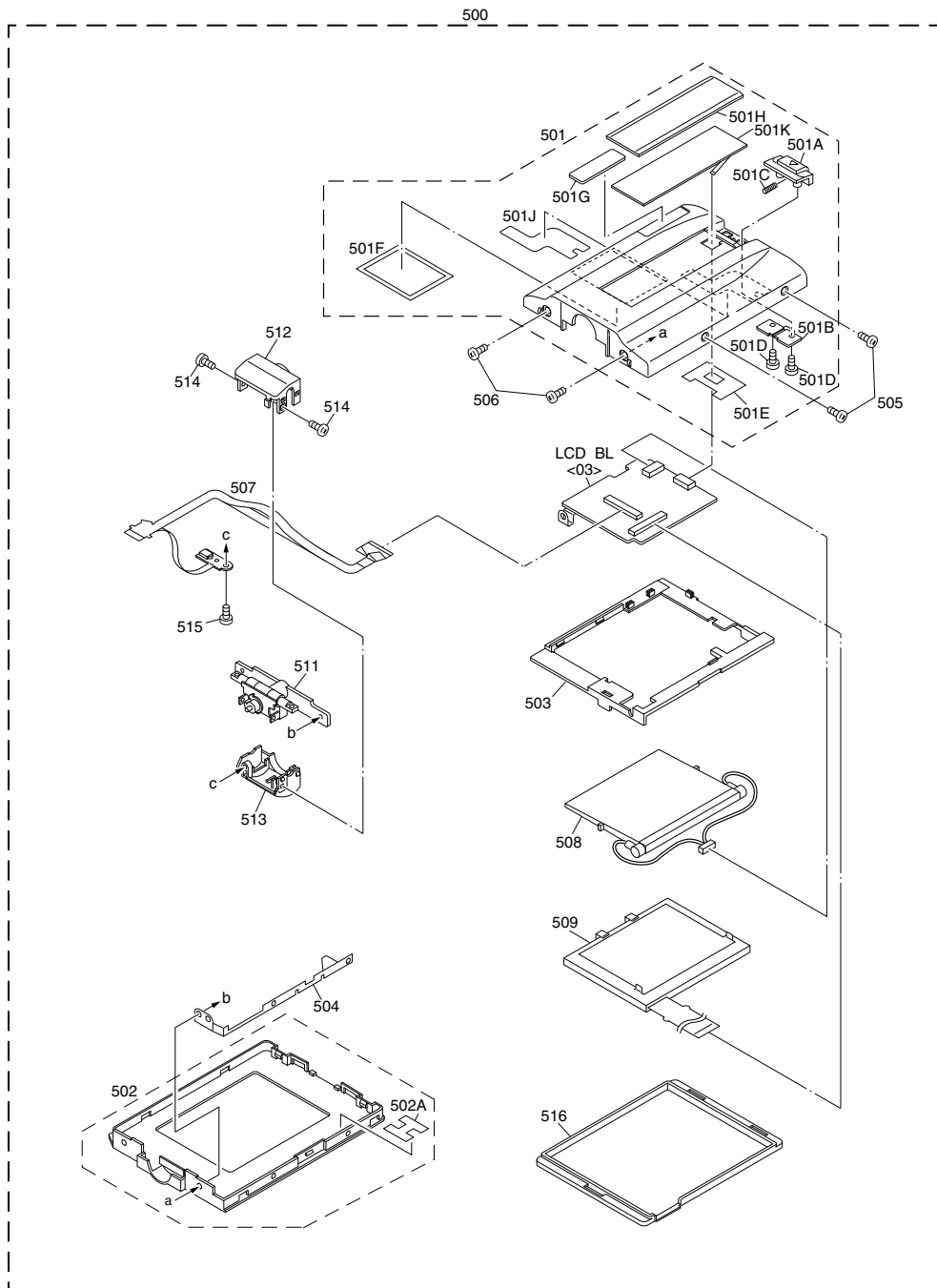
- 1 LY32095-010B PACKING CASE,B
- LY32095-011B PACKING CASE,A
- LY32095-012B PACKING CASE,C
- LY32095-013B PACKING CASE,D
- 2 LY32096-001A CUSHION
- 3 LY30023-008A POLY BAG
- 4 QPA02003006 POLY BAG,B,C,D
- QPA02003506 POLY BAG,A
- △ 5 LYT0750-001A INST.BOOK(EN),B,C,D
- △ LYT0750-002A INST.BOOK(CH),B,C,D
- △ LYT0789-001A INST.BOOK(EN),A
- △ LYT0789-002A INST.BOOK(CH),A
- △ LYT0789-003A INST.BOOK(RU),A
- △ 6 LYT0598-001A INST.BOOK(SOFT.SETUP),A,C,D
- 7 LYT0378-003A SHEET(AGREMENT),A,C,D
- 9 BT-59011-2 WARRANTY CARD
- 10 BT-59012-1 GUARANTY CARD
- 11 LY32210-002A CD ROM,A
- LY32210-002B CD ROM,C,D
- △ 12 LY20688-015A AC ADAPTER,AP-V10ED
- △ 13 LY31587-001A BATTERY PACK,BN-V408U
- 14 QAM0211-001 CABLE ASSY,AUDIO/VIDEO CABLE,A
- QAM0212-001 CABLE ASSY, AUDIO/VIDEO CABLE,B,C,D
- 15 QQR0918-002 CORE FILTER
- 16 LY20186-001A SHOULDER STRAP
- 17 LY20750-001A REMOTE CONTROL UNIT,RM-V717U,A
- YQ20922R REMOTE CONTROL UNIT,RM-V711U,B,C,D
- 18 — BATTERY,AAA(R03),X2,A
- 19 PEAC0903 LI BATTERY,B,C,D
- 20 QPA01703005 POLY BAG
- 23 PEAC0428-150 CABLE ASSY,B
- QAM0214-001 RM CABLE,A,C,D
- 24 QQR0491-002 CORE FILTER
- △ 25 QMPS120-190-JR POWER CORD
- 27 QQR0490-002 CORE FILTER
- 28 QQR0918-002 CORE FILTER,B
- 30 QQR0491-002 CORE FILTER
- 31 QAM0084-001 PC CABLE,A,C,D
- 32 QQR0491-002 CORE FILTER,A,C,D

• INSTRUCTIONS

- EN ENGLISH
- CH CHINESE
- RU RUSSIAN

MODEL	MARK
GR-DVL315A-C	A
GR-DVL310ED	B
GR-DVL410ED	C
GR-DVL510ED	D

5.2 MONITOR ASSEMBLY <M5> [GR-DVL410ED]



△ REF No. PART No. PART NAME, DESCRIPTION

MONITOR ASSEMBLY <M5>

# △	REF No.	PART No.	PART NAME, DESCRIPTION
△	500	LYH20246-020A	MONITOR ASSY
△	501	LY20721-003A	MONITOR COVER(3.5)ASSY
	501A	LY31620-001A	KNOB(LOCK 1)
	501B	LY42180-001A	KNOB(LOCK 2)
	501C	LY30002-044A	COMPRESSION SPRING
	501D	LY30018-011A	SPECIAL SCREW,X2
	501E	LY42368-001A	SHEET(MON)
	501F	LY40559-001A	SHIELD SHEET
	501G	LY42883-001A	MARK
	501H	LY32121-003A	WINDOW
	501J	LY42386-001A	EARTH MON

△ REF No. PART No. PART NAME, DESCRIPTION

	501K	LY42193-001A	EL(WINDOW)
	502	LY20598-001A	MONITOR CASE ASSY
	502A	LY42388-001A	EARTH MON(2)
	503	LY20567-001A	HOLDER(3PWB)
	504	LY31622-001A	BRACKET(EARTH)
	505	QYSPSPT1730R	SCREW,X2
	506	QYSLSP2040D	SCREW,X2
	507	LY31743-001A	MONITOR FPC ASSY
	508	QLL0094-001	BACK LIGHT
	509	QLD0118-001	LCD MODULE
	511	LY32079-001A	HINGE ASSY
	512	LY32088-001A	HINGE COVER(1)
	513	LY32089-001A	HINGE COVER(2)
	514	LY30018-058A	SPECIAL SCREW,X2
	515	LY30018-023A	SPECIAL SCREW
	516	LY20566-001B	HOLDER(3LCD)